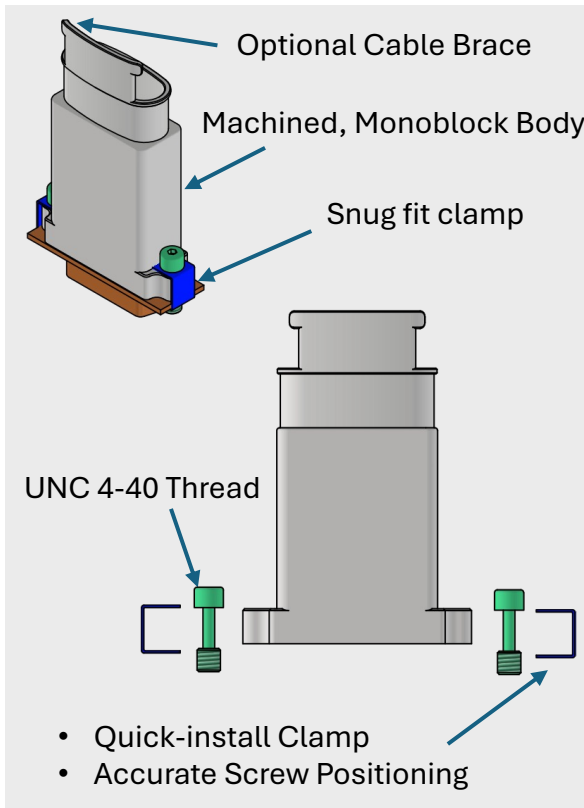
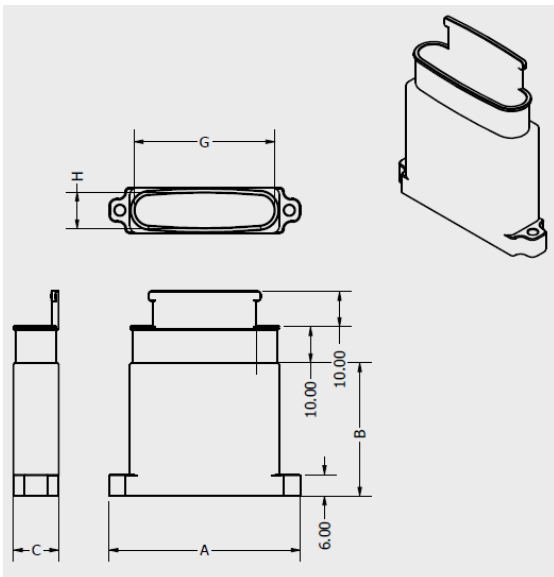


## D-SUB BACKSHELLS



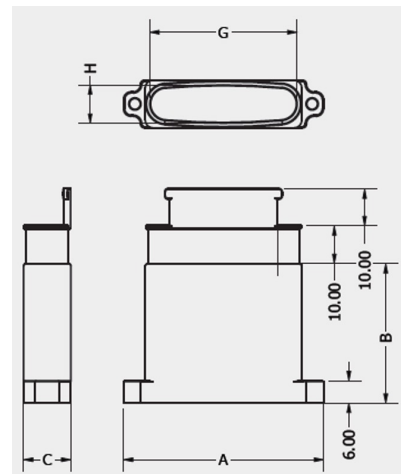
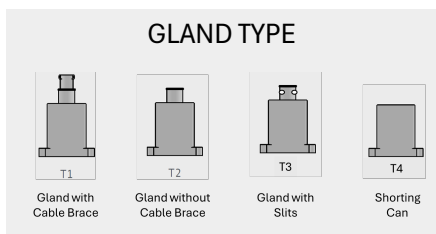
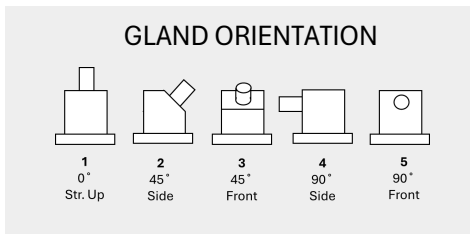
ESCC COMPATIBILITY	3401/072
MATERIAL	
Shell	Aluminum 7075-T6
Clamp	Stainless Steel AISI 304
Screw	Stainless Steel AISI 304
FINISH	
Al Parts	Electroless Nickel i.a.w. ASTM B733-4 13.5/25.4 $\mu\text{m}$ min
SS Parts	Passivation i.a.w. AMS2700
MAGNETISM	< 200 Gamma
MARKING	Etched. Part Number, Lot Number
OPERATION TEMP.	-55° ... 125°C
CLEANLINESS	ISO 5 Compatible
TESTING LEVEL	B

## Ultra Lightweight Monoblock Nonmagnetic



Connector Sizes	E, A, B, C, D, F
Gland Orientation	Straight up 45° Side/Face 90° Side/Face
Backshell Height	Standard: 25, 35, 45 mm/Custom Dimensions
Gland	Circular, Oval, Standard/Custom Dimensions
Cable Brace	Optional, with the anchor

Electroless Nickel  
 M: Med. Ph: 13.5 µm min  
 H: High Ph: 25.4 µm min



BACKSHELL HEIGHT	
CONN'R	- B -
ALL	25
ALL	35
ALL	45
ALL	CUSTOM

GLAND DIMENSION: H		
CONN'R	- H -	SYMBOL
ALL	8	J
ALL	10	K
D	13	L

FOR GLAND ORIENTATION 1, 2, 3											
		GLAND DIMENSION: G									
CONN'R	-H-										MAX
ALL	J	8									
ALL	K	10									
E	K										16
A	K		15	20						25	
B	K		15	20	25	30	35			39	
C	K	15	20	25	30	35	40	45	50	55	
D	K	16	20	25	30	35	40	45		52	
D	L	13	20	25	30	35	40	45		52	

FOR GLAND ORIENTATION 4			
		GLAND DIMENSION: G	
CONN'R	-B-	-H-	
ALL	ALL	J	8
ALL	ALL	K	10
ALL	35	K	15 20
ALL	45	K	15 20 20 30
D	35	L	13 20
D	45	L	13 20 25 30

FOR GLAND ORIENTATION 2		
		GLAND DIMENSION: G
CONN'R	-H-	
ALL	J	8
ALL	K	10
A	K	15
B	K	15 20
C	K	15 20 25
D	K	15 20 25
D	L	13 20 25

## DISTRIBUTION

ABEAM S.R.L., 7 Intr. Geneva str., Fl. 1  
 011735 Bucharest, Sector 1, Romania  
 email: [sales@abeamsrl.com](mailto:sales@abeamsrl.com), web: [abeamsrl.com](http://abeamsrl.com)  
 Tel. +40 31 229 5745

AMBS01.X.TX.BB.X.HGG.N

D-Sub Connectors  
 Connector Size  
 Gland Type  
 Backshell Height  
 Gland Orientation  
 Gland-Dimension -H-  
 Gland-Dimension -G-  
 Nickel Plating

ABM-INF.E10.005